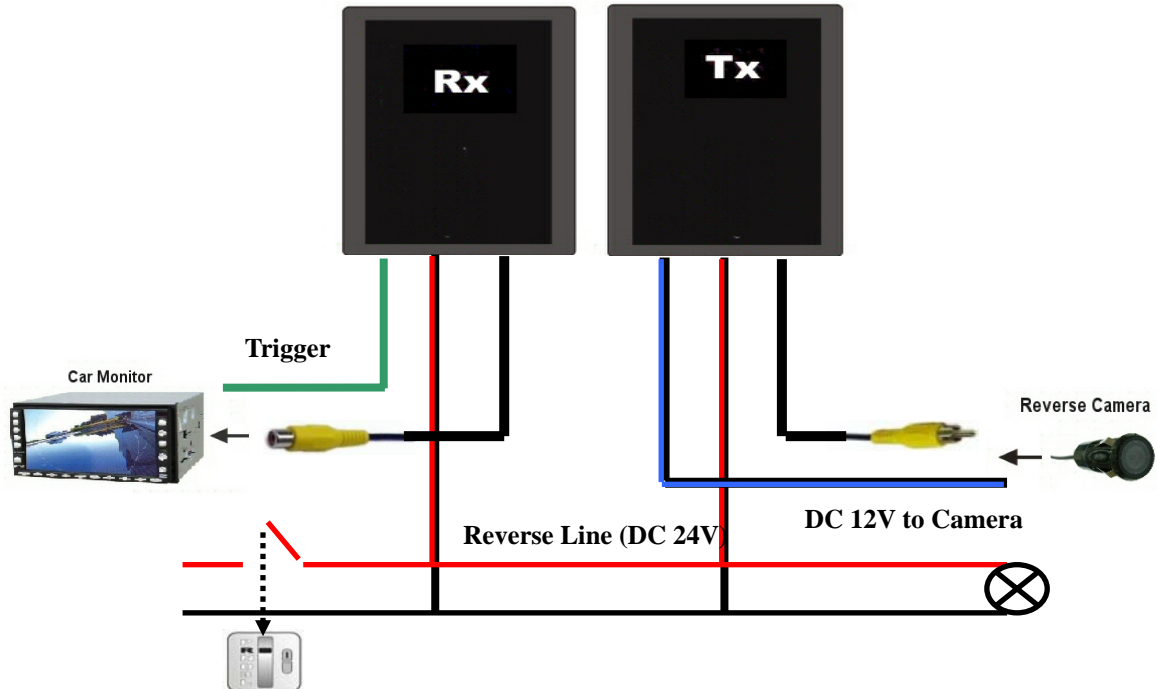


# Video Transmission Over Power Line On Vehicle

## VP-3000N

### Tx and Rx



### FEATURE:

- Video transmission by Frequency Modulation over DC Power in Vehicle,
- User don't need to install one more video cable from camera to display monitor. Shorten the installation effort and time; economize the use of the video cable material.
- Video quality is good, almost no loss which compared with original camera video output.
- Video signal is more stable than 2.4G wireless video transmission, because no RF interference.
- Many Rx modules to one Tx module. Every Rx module will receive the same quality video.
- Suitable for all vehicles which used 24V DC or 12V DC.
- Module support one 12V output for power supply to reverse camera. User doesn't need to buy the 24V special used camera.
- Waterproof and anti-vibration for this product.

### CONNECTOR DESCRIPTION:

Connector	Description
TX Module	1. Blue/Black doubling wire (30 cm) ----- DC 12V (200mA) output to Reverse camera. 2. Red/Black doubling wire (30 cm) ----- DC 24V power input. 3. Yellow RCA Jack Male on wire(30 cm) ----- Video Input (From reverse camera or any video output device).
RX Module	1. Green wire (30 cm) ----- trigger wire to notify monitor. 2. Red/Black doubling wire (30 cm) ----- DC 24V power input. 3. Yellow RCA Jack Female on wire (30 cm) ----- Video output to Monitor.

**SPECIFICATION:**

VIDEO TRANSMISSION			
Video Input System	1CH CVBS, NTSC / PAL/SECAM	Video Output System	1CH CVBS, NTSC / PAL/SECAM
Video Transmission Distance	No loss within 100 meters, Maximum 200 meters		
GENERAL			
Video Input Connector	1.0V±20m Vp-p, 75 Ohm	Video Output Connector	1.0V±20m Vp-p, 75 Ohm
Power Input Voltage	DC 24V	Power Consumption	Maximum 1.5W(24V) TX: 40 mA RX: 20 mA
Working Temperature	-30°C to +80°C	Storage Temperature	-40°C to +150°C
Dimension(L/W/H mm)	Include screw holder: 60X62X25 Exclude screw holder: 60X48X25	Weight(g)	181.5( TX + RX module)