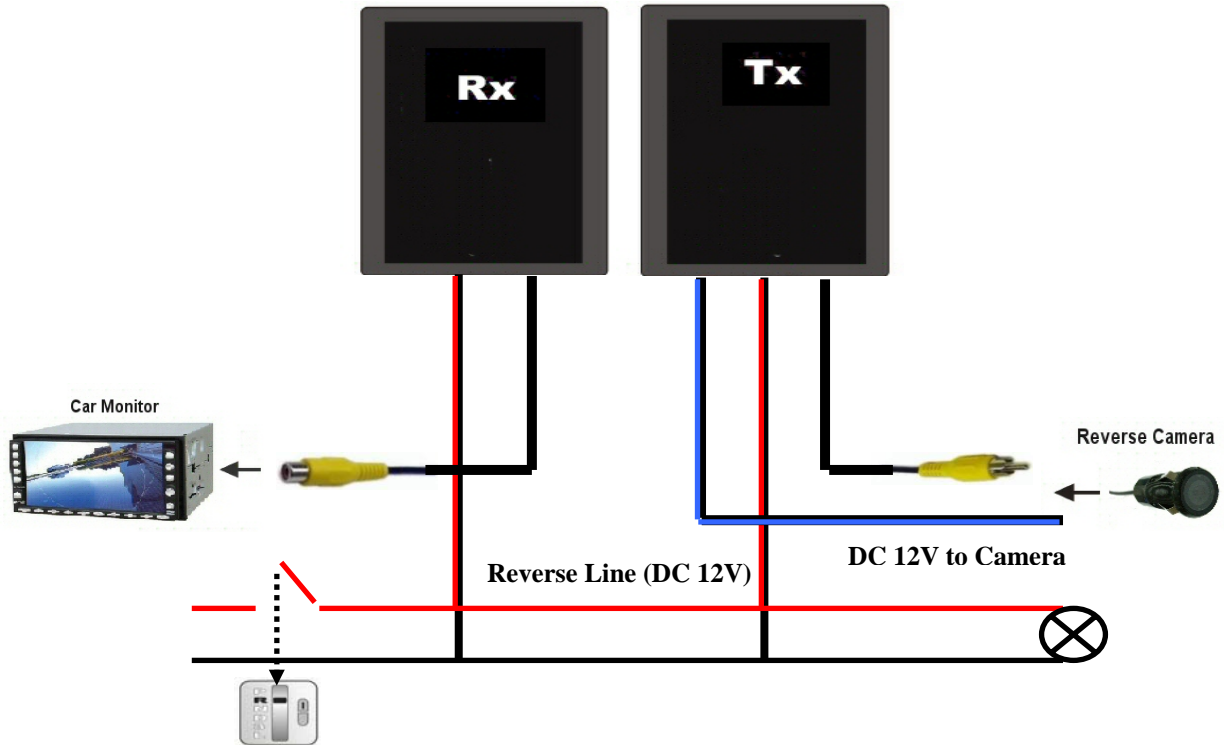


# Video Transmission Over Power Line On Vehicle

## VP-1000N

### Tx and Rx



### FEATURE:

- Video transmission by Frequency Modulation over DC Power in Vehicle (use 12Voltage only).
- User don't need to install one more video cable from camera to display monitor. Shorten the installation effort and time; economize the use of the video cable material.
- Video quality is good, almost no loss which compared with original camera video output.
- Video signal is more stable than 2.4G wireless video transmission, because no RF interference.
- Many Rx modules to one Tx module. Every Rx module will receive the same quality video.
- Waterproof and anti-vibration for this product.

### CONNECTOR DESCRIPTION:

Connector	Description
TX Module	1. Blue/Black doubling wire(30 cm) ----- DC 12V (200mA) output to Reverse camera. 2. Red/Black doubling wire(30 cm) ----- DC 12V power input. 3. Yellow RCA Jack Male on wire(30 cm) ----- Video Input (From reverse camera or any video output device).
RX Module	1. Red/Black doubling wire ----- DC 12V power input. 2. Yellow RCA Jack Female ----- Video Output to Monitor.

**SPECIFICATION:**

VIDEO TRANSMISSION			
Video Input System	1CH CVBS, NTSC / PAL/SECAM	Video Output System	1CH CVBS, NTSC / PAL/SECAM
Video Transmission Distance	No loss within 100 meters, Maximum 200 meters		
GENERAL			
Video Input Connector	1.0V±20m Vp-p, 75 Ohm	Video Output Connector	1.0V±20m Vp-p, 75 Ohm
Power Input Voltage	DC 12V	Power Consumption	Maximum 1.5 W(12V) TX:70 mA RX:50 mA
Working Temperature	-30°C to +80°C	Storage Temperature	-40°C to +150°C
Dimension(L/W/H mm)	Include screw holder: 60X62X25 Exclude screw holder: 60X48X25	Weight(g)	181.5( TX + RX module)